

# IN-ROOM SAFES



### In-room security is serious business ...

#### You need a Serious Partner

Today, more than ever, your business guests would expect the best combination of both security and convenience. JVD digital in-room safes exceed expectations. JVD safes are powered by the most advanced processors; engineered and built to provide maximum security for hotel guests. They are built to withstand rugged day-to-day use and to last the life of the installation. They are user-friendly and yet offer one of the most secured systems in today's room safe security. It is a longterm investment in quality.

#### No other system offers the extra measures of quality and convenience. Only JVD does...

Every hotel's needs and circumstances are uniquely its own. With more than 30 years of experience in providing solutions to the hospitality industry, JVD knows and understands these differences and has taken them fully into consideration in our designs. But the ability to meet your needs go beyond recommending hardware. JVD safes bring you a number of impressive benefits, offers a better way to further extend your services to your valued guests.

#### JVD hospitality difference

JVD builds its future by safeguarding Quality, Competitiveness and the French know-how. Our focus on serving the hospitality institutions throughout our 30 years of proven leadership has seen JVD products installed throughout the world; added value products that work harder, smarter and better than any alternative.

#### JVD global support

JVD support goes far beyond the right products. Headquartered in France, JVD's manufacturing concerns, subsidiaries and distribution network is globally extensive. You will feel secure with the knowledge that the finest equipment is supported by a professional network of subsidiaries and trained Distributors.

## JVD Guardian

### In-room safe is serious business...

When it comes to in-room safe security, you need a Serious Partner. JVD digital safes are powered by the most advanced electronic systems, engineered and built to provide maximum security for hotel guests.

The solid steel construction, double integrated thick locking bolts, hidden hinges and its contemporary styling are a reflection of JVD's famous name for quality and reliability.

A worldwide recognition and reputation surely counts when choosing an in-room safe; and we have now made it even more affordable.



GSC230 LPT-BLK



GSC 230 LPT-IV

Logger connected to safe for emergency opening, no power opening and audit functions



Emergency master key



Lighted Keypad



Inside light for guest convenience

Reference	Guardian
User operations	Code 4 to 6 digits or Card
Power supply	4 x AA cell, optional AC with battery back-up
AC power supply	Optional AC with battery back-up
Audit view and print-out	Up to last 200 events
Memory system	Non-volatile
Keypad panel	Illuminated push buttons, large LED display
Locking mechanism	Double bolts integrated mechanism
Buzzer	On every button and functions
Inside light	Auto exposure and auto off
Electronic override	Using Logger Unit
Mechanical override	Included as standard
Security lock-out	4 tries with 15 minutes lockout and timer
Energy saving	Auto sleep mode
Internal outlet charging	Optional
Standard colors	Black and Ivory

	GSC 230 LPT	GSC 230 SLPT	GSC 535 Floor
Ext. Dimensions (mm)	H230/W430/D410	H230/W430/D500	H535/W400/D480
Int. Dimensions (mm)	H220/W425/D310	H220/W425/D400	H525/W395/D375
Door Opening (mm)	H172/W320	H172/W320	H472/W290
Internal Volume approx.	29 litres	37.4 litres	77 litres
Weight approx.	16 Kgs	20 Kg	40 Kg



Logger unit for electronic emergency override, no battery power opening and audit functions



Optional laptop charger at back of safe

ACC - CHR - BS



Purpose-built Logger bag for easy handling and convenient storage



GSC 535 Floor - IV



GSC 535 Floor - BK

## JVD Trustee

### Simplicity at its best

JVD Trustee is a testimony of JVD continuous development in good technology and new techniques to further enhance the pleasure and safety of in-room security.

The Trustee series are powered by the most advanced electronic system engineered to provide simple, convenient usage. It is now available in both laptop and compact dimensions, making it one of the most affordable safes in the market.



TS230 CPT-BK



Reference	Trustee
User operations	4 to 6 digit code
Power supply	4 x AA cells designed for easy replacement
No battery power	Open by Safe Service Unit
Audit trail & Print-out	Up to last 200 past events
Memory system	Non-volatile
Keypad panel	Push button
Locking bolts	Double bolts integrated system
Display	LED
Buzzer	Available on keypad buttons and functions
Mechanical override	Available as a standard
Electronic override	By Logger Unit
Security lockout	4 tries with 15 minutes lockout and timer
Internal outlet charging	Optional
Standard colors	Black



Emergency master key

	Trustee Compact	Trustee Laptop
External Dimensions (mm)	H195/W355/D270	H195/W355/D430
Internal Dimensions (mm)	H185/W350/D200	H185/W350/D360
Door Opening (mm)	H137/245	H137/245
Internal Volume approx.	12.9 litre	23.3 litre
Weight approx.	10 Kgs	13 Kgs



Logger unit for electronic emergency override, no battery power opening and audit functions



Optional laptop charger at back of safe

ACC - CHR - BS



Purpose-built Logger bag for easy handling and convenient storage

## JVD Iconic Top Open Safe



ITO 130IV

Logger connected to safe for emergency opening, no power opening and audit functions.



Emergency master key



### Aesthetics, Stylish & Functional...

JVD Iconic Top Open Safe is a testimony of JVD continuous development in good technology and new techniques to further enhance the pleasure and safety of in-room security. The safes are powered by the most advanced electronic systems engineered to provide maximum security for hotel guests.

### Logger Unit - Complete System

The Logger Unit is menu-driven and easy to manage. There are no "guesswork", no complicated procedures when performing emergency openings for guests. It is non-volatile that ensures that Hotel passwords are kept secure even during no battery power. Both programmable hotel security codes must be used for emergency openings.

The Logger Unit performs audit trail by obtaining data from safe up to the last 200 past events. Report includes users' activities including lock-out and emergency openings by Hotel staff with date and time. The report can be viewed or printed.

The Logger Unit is a Complete System. By connecting the Logger Unit to the safe, it immediately provides external power to the safe when the safe has no battery power. There is no necessity to open the safe panel or the keypad panel first (in front of hotel guests) when battery power in the safe is flat. Emergency openings can be swiftly and professionally done.



Audit Printer



Logger unit for electronic emergency override, no battery power opening and audit functions



Specifications
Power supply 4 x AA battery cells
User operations 4 to 6 digit codes
Confirmation tone/ buzzer on keypad button
Inside light
Energy Saving, battery check
Anti-tamper 15 minutes lock-out
Non-volatile memory system
Integrated locking mechanism
Emergency electronic override by Logger Unit
Emergency mechanical override
No battery opening by Logger Unit
Audit trail: by viewing, by print-out
Color: Black and Ivory
Internal outlet charging [optional]

	ITO 130
External Dimensions(mm)	H130/W400/D350
Internal Dimensions(mm)	H70/W395/D342
Internal Volume approx.	9.5 litres
Weight approx.	11kg

## JVD Sovereign PLUS

No other system offers the extra measures of Quality and Performance...

JVD Sovereign Series is used in many top grade hotels. It encompasses top security with multiple Hotel codes; up to 36 different emergency codes.

### Enhanced Features

Lighted keypad panel & enhanced inside light are some standard features that you could expect from the JVD Sovereign series further enhancing safe-keeping experience

### Sovereign Logger Unit - Complete System

The Service Unit is easy to manage as it is menu-driven with no complicated procedures. It accepts up to 36 different hotel programmable codes. Each code is identified by Hotel staff name and therefore no sharing of codes. Two hotel security codes must be used for emergency openings. The Logger Unit is non-volatile and requires no charging. It is a Complete System as it supports the safe with external power. Emergency openings can be easily carried out swiftly and professionally even when the safe is without battery power

Audit up to 400 past events including user and hotel openings with date and time. Data are transferred from the safe to the Logger and then downloaded to the computer for audit printing.



JSC230LPT-IV



JSC230LPT-BK



ACC - CHR - DR

Optional laptop charger on safe door



Optional laptop charger at back of safe

ACC - CHR - BS



Inside light for guest convenience

JSC230LPT-IV



Logger unit for electronic emergency override, no battery power opening and audit functions

Reference	Sovereign PLUS
User Operations	Code 4 to 6 digit or Card
Power Supply	4 x AA battery cells and AC option
Audit Trail with View & Print-out	Up to last 400 past events
Safe Memory & Logger Memory	Non-volatile
Lighted keypad buttons	Yes
Locking bolts	2 x 19mm integrated solid steel bolts
LED display	Large display
Confirmation tone/buzzer	Yes
Auto energy saving & battery level check	Yes
Anti-temper lockout	Yes
Spring-loaded door	Optional
Internal outlet for laptop charging	Optional
Color	Black & Ivory

	JSC230 LPT	JSC535 Floor
External Dimensions Including keypad (mm)	H230/W430/D410	H535/W400/D480
Internal Dimensions	H220/W425/D310	H525/W395/D375
Door Opening (mm)	H172/W320	H472/W290
Internal Volume approx.	29 litres	77 litres
Weight approx.	16kg	40kg

## JVD Guardian Drawer Safe



GDS210-BK

JVD builds its future by safeguarding Quality and follows through with the most comprehensive and affordable service and support in the industry. A worldwide recognition and reputation surely counts when choosing an in-room safe; and we have now made it even more affordable.

### Logger Unit - Complete System

The Logger Unit is menu-driven and easy to manage. There are no "guesswork", no complicated procedures when performing emergency openings for guests. It is non-volatile that ensures that Hotel passwords are kept secure even during no battery power. Both programmable hotel security codes must be used for emergency openings.



The Logger Unit performs audit trail by obtaining data from safe up to the last 200 past events. Report includes users' activities including lock-out and emergency openings by Hotel staff with date and time. The reports can be viewed or printed.

The Logger Unit is a Complete System. By connecting the Service Unit to the safe, it immediately provides external power to the safe when the safe has no battery power. There is no necessity to open the safe panel or the keypad panel first (in front of hotel guests) when battery power in the safe is flat. Emergency openings can be swiftly and professionally done.



Logger unit for electronic emergency override, no battery power opening and audit functions



Emergency master key



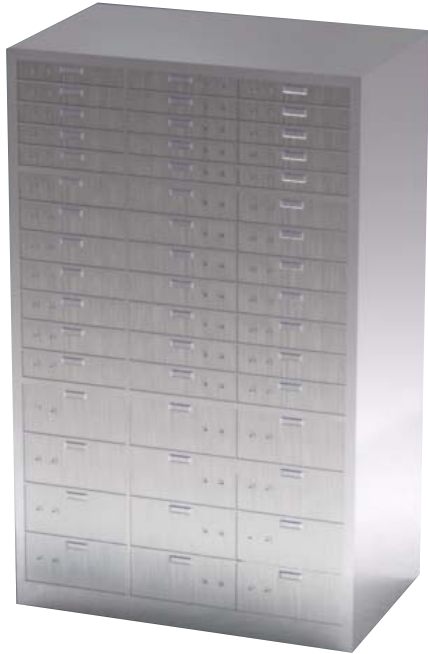
Lighted Keypad



Inside light for guest convenience

GDS210-BK	
External Dimensions(mm)	H210/W430/D460
Internal Dimensions(mm)	H148/W332/D348
Internal Volume approx.	9.17 litres
Weight approx.	16kg

## Safe Deposit Lockers For Front Office



JVD safe deposit lockers are designed to offer safe-keeping of guests' valuables. The boxes are attractively designed and cost effective. They are specifically designed for easy free standing installation in secured rooms in the hotel lobbies.

The doors are stainless steel construction and body of stainless steel cladding. Other painted colour options are available upon request.

### Dual Control Locking

Each locker is fitted with a high security dual control lock, with 2 keyholes; a custodian key and a renter key. Both keys must be used together to open the locker.

### Inner Containers

All lockers are supplied with a lockable inner metal container. These containers are equipped with a hasp and staple to accept the renter's own padlock.

### Numbering

Within each group of lockers, the numbers commonly start at the top left and run horizontally in rows to the bottom right corner.

### Configurations

JVD safe deposit lockers are available in full and partial sections to optimise the room.



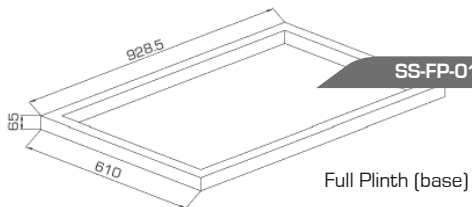
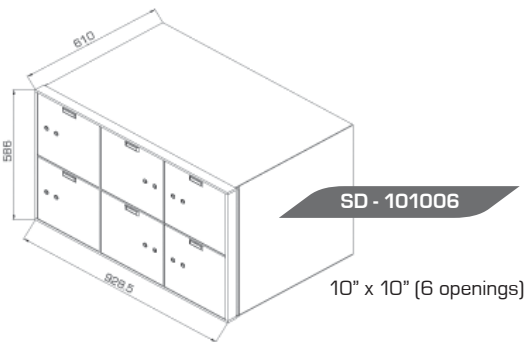
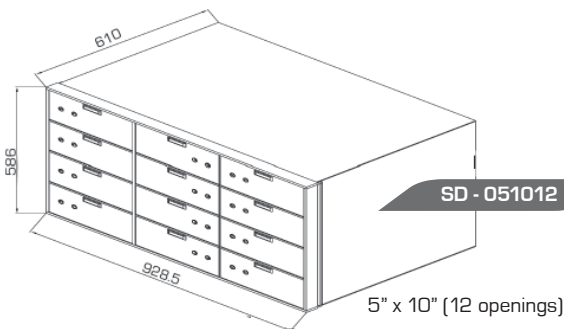
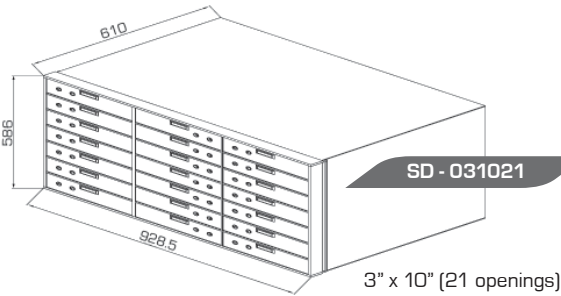
Both keys must be used together to open the locker



All lockers supplied with a lockable inner metal container

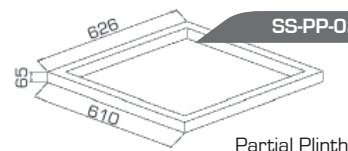
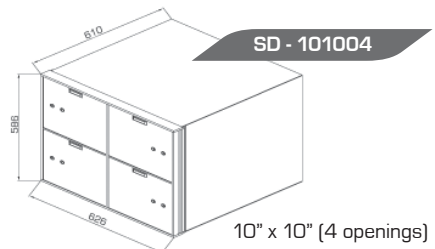
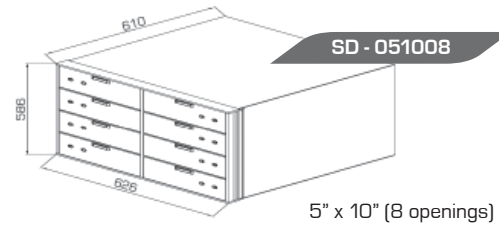
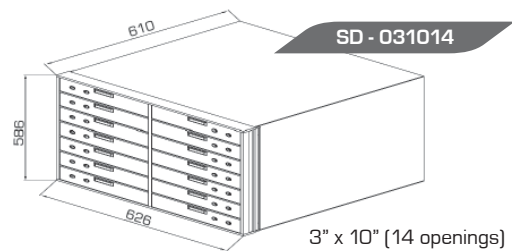
## Modular & Ease of Installation

### Full Sections



To fully optimise vault size, JVD SDB Series is available in various full and partial sections. By stacking each section on top of one another, they form into a Group. All the necessary bolts, washers and nuts are provided together with the supplies.

### Horizontal Partial Sections



Full Section Reference	Openings	Nos
SD-031021	3" x 10"	21
SD-051012	5" x 10"	12
SD-101006	10" x 10"	6
SS-FP-01	Full Section Plinth (base)	

Partial Section Reference	Openings	Nos
SD-031014	3" x 10"	14
SD-051008	5" x 10"	8
SD-101004	10" x 10"	4
SS-PP-02	Partial Section Plinth (base)	