



811413

***MASTER 2 auto alu white***



**PRODUCT ADVANTAGES**

- Hot air
- Suitable for intensive usage
- Quiet (70 dB)
- Anti-vandalism (aluminium cover)
- Can easily replace an existing hand dryer

MASTER hand dryer white automatic hot air suitable for high traffic (induction motor), silent (70 dB) and anti-vandalism (aluminum hood). 3 years warranty.

**10 YEARS  
REPAIRABLE**



**MADE IN  
FRANCE**



JVD Spain  
[jvd.es](http://jvd.es)

-

JVD France  
[jvd.fr](http://jvd.fr)

-

JVD Singapore  
[jvd.sg](http://jvd.sg)

-

JVD Mexico  
[jvd.mx](http://jvd.mx)

# 811413



## **MASTER 2 auto alu white**

### SPECIFICATIONS

Material	Aluminum
Colour	White
Heating element	Yes
Drying time [s]	20-30s
Sound level [dB] (1m in front of the appliance)	70
Air flow rate [m³/h]	300
Air outlet temperature [°C]	60
Safety in case of malfunction	Yes
Filter	No
Vandal-safe	Yes
Drying zone lighting	Yes

### ELECTRICAL

Rated Power [W]	2000
Voltage	220-240V
Frequency [Hz]	50
Standby power consumption [W]	0.1000
Detection type	Infrared
Type of motor	Induction

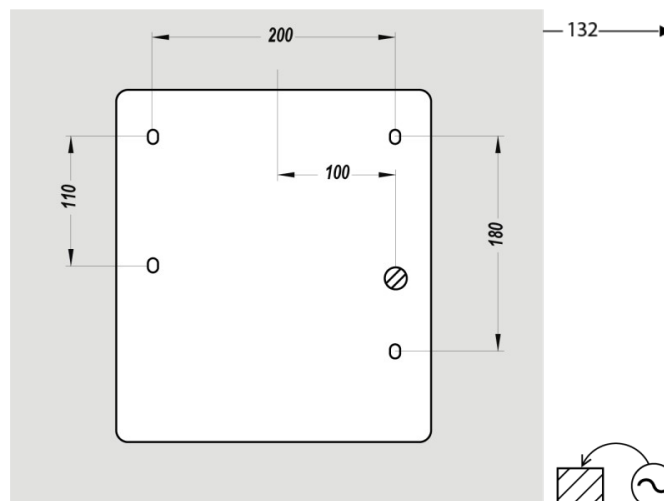
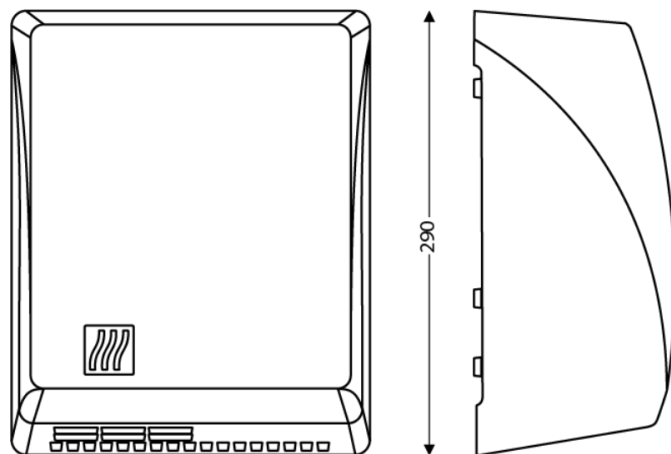
### DIMENSIONS

Height [mm]	290
Width [mm]	265
Depth [mm]	132
Weight [kg]	4.4700

### BOX DIMENSIONS

Height [mm]	145
Width [mm]	280
Depth [mm]	310
Weight [kg]	4.6400

### TECHNICAL DRAWING



### RECOMMENDED INSTALLATION HEIGHTS

- Men installation height (cm) : 130
- Women installation height (cm) : 125
- Children installation height (cm) : 120
- Disabled person installation height (cm) : 100

