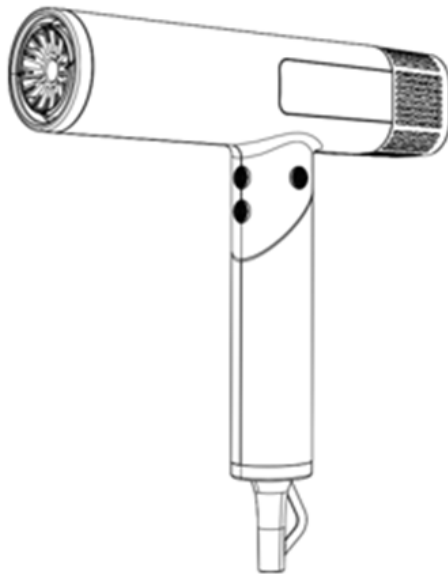




AUREVO

Foldable Hairdryer

Instruction Manual



Information in this manual is subject
to changes without notice.
Edition: 2025/11

Please read the manual carefully before using the product

READ THESE INSTRUCTIONS CAREFULLY BEFORE USAGE

WARNING: To avoid injury, electric shock, or fire caused by improper use, carefully read and follow all safety instructions below.

1. Read the instructions carefully and retain this manual for future use.
2. Ensure the appliance's rated voltage matches the supply voltage before use.
3. Inspect the power cord regularly. If damaged, it must be replaced by the manufacturer, its service agent, or a qualified technician.
4. Do not pull, crush, or overload the power cord. Never use the hairdryer with a damaged cord or plug. Use only a grounded outlet.
5. Do not connect other appliances to the same outlet to avoid overheating or fire.
6. Keep the air inlet and outlet unblocked during use to prevent overheating and ensure safe operation.
7. Never disassemble the hairdryer to avoid hazards.
8. Do not use near flammable substances such as petrol, paint, thinners, or sprays to prevent fire or explosion.
9. Never immerse the appliance, cord, or plug in water, and avoid using near bathtubs, showers, basins, or other vessels containing water.
10. Do not use this appliance near bathtubs, showers, basins, or other vessels containing water.



11. Store the hairdryer without wrapping the cord around the body to prevent cord damage, short circuits, or fire.
12. If dropped, damaged, or making abnormal sounds, do not use the hairdryer. Do not drag the appliance on the floor.
13. Use the hairdryer only for drying hair. Do not use it for clothing or other items.
14. During use, the air outlet and nozzle may become hot—avoid touching to prevent burns.
15. Do not use the hairdryer in humid environments.
16. This product is intended for household indoor use only. Do not use in bathrooms or outdoors.
17. Always unplug after use. Do not pull the cord; grasp the plug when unplugging.
18. The appliance is not to be used by persons (including children) with reduced physical, sensory or mental capabilities, or lack of experience and knowledge, unless they have been given supervision or instruction.
19. Avoid storing the product in highly humid environments to prevent electric shock or fire due to a short circuit.
20. To avoid potential damage and electric shock, do not expose the hairdryer to water or operate it with wet hands.

Product Overview

This brushless high-speed hairdryer is suitable for professional and personal use. It features a powerful 110,000 RPM motor with digital airflow and temperature control for fast drying, reduced heat damage, and quiet operation.

TECHNICAL SPECIFICATIONS

Supply voltage: 220-240V, 50/60Hz

Product code: 8222490

Power: 1875W

Fan speed modes: 3

Temperature mode (°C) : 3 (60,80,100)

Cold shot: Yes

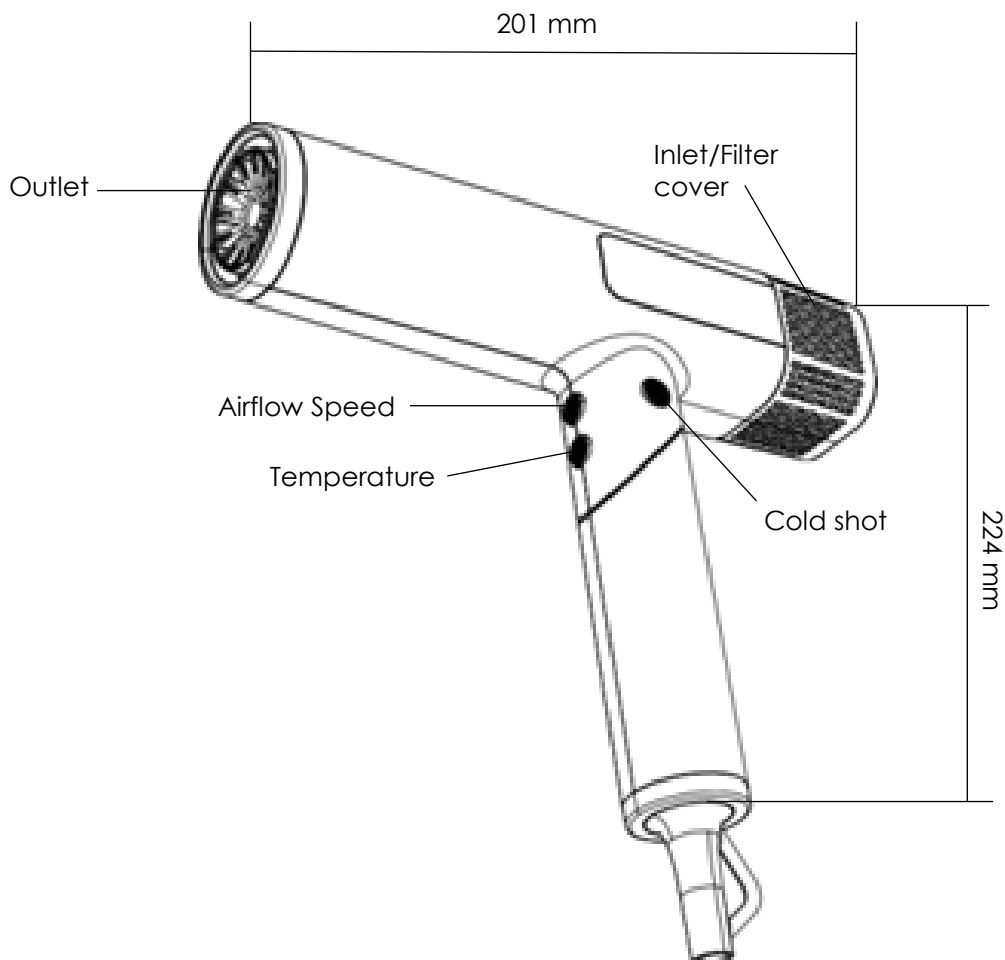
Weight: 300 g

Dimensions: H224/W201/D45 mm

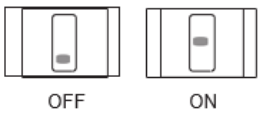
Hairdryer material: ABS

Motor type: Low-noise brushless motor

Motor speed: 110,000 RPM



Functions

Power switch (Located at handle) 0= Off I= ON	
Air Flow Button	Press to select the desired wind speed (3 levels)
Temperature Button	Press to select the desired temperature (3 settings: 60°C, 80°C, 100°C).
Cold Shot	(Manual mode) Press and hold the button to switch to cold air. Release the button to return to the previous setting.
Digital LCD Display	Digital display shows the selected settings during operation.
Rotatable Handle	The handle can rotate 360° to allow easy and compact storage.
Ionic Function	Equipped with built-in negative ions to minimize frizz and improve hair shine.
Self-cleaning function	Set to Max Speed with no heat. Press and hold the fan speed button for 3 seconds to start self-cleaning. The motor will reverse to clean and then return to normal automatically. You can then turn off or continue using the hairdryer.
Lightweight Design	Lightweight at 300 g, perfect for travel and daily use.

Power On/Off

- Slide the power switch up to turn ON and down to turn OFF.

Accessories

- Attach or remove plug-and-play accessories easily, they rotate 360°.
- Ensure the hair dryer is off before attaching or removing accessories.

Airflow & Temperature Control

- Press the airflow control button to toggle through 3 airflow levels.
- The dryer will resume the previous setting when restarted.
- Adjust temperature (4 levels, incl. cool) and speed (3 levels) using the control buttons.
- To use cool air while heating, press and hold the cold shot button.

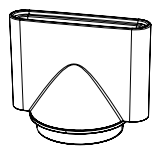
Cold Shot

- The Cool Shot releases a stream of cool air to set your style and add shine.
- Press and hold to activate; release to return to the previous temperature.

Shutdown

- After use, switch off the hairdryer switch to '0' and unplug the unit.

Attachments (Included)

	Nozzle for targeted styling	Concentrates the airflow into a narrow stream for precise control, letting you dry and style specific sections of hair more effectively.
---	-----------------------------	--

FAULT	SOLUTION
The hairdryer does not turn ON	Check that the main supply is switched on
	Ensure the power plug is properly connected
	Ensure the hairdryer power switch is turned on
Hairdryer is not producing hot air.	Press the heat switch on the hairdryer to adjust the temperature
	Ensure the LCD display shows the desired temperature (60°C, 80°C, or 100°C)
Hairdryer is not producing any air	Switch off the hairdryer, clean the filter, and ensure the air inlet and outlet are clear before turning it on again.

STORAGE

1. Unplug the hairdryer from the power outlet after use.
2. Allow the unit to cool before removing any attachment nozzles.
3. Use the provided cable organizer to coil the cords neatly. Do not bend, twist, or crush the wires. Store them in a dry place and keep the cables relaxed to prevent stress or damage

CARE & MAINTENANCE

1. Remove the nozzle attachment and clean with a damp cloth.
2. Do not use harsh, abrasive cleaners or solvents.
3. Never immerse the hairdryer in water or other liquids.
4. Do not drop, throw, or attempt to bend the hairdryer.
5. Do not attempt to disassemble the appliance.
6. After use, store the cord neatly to reduce stress on the wires.
7. Keep the hairdryer away from heat sources and direct sunlight.
8. Ensure both the air intake and outlet are clean and free of obstructions.
9. For storage, place the hairdryer flat, remove nozzle attachments, coil the cord neatly, and keep it in a dry area, such as a closet.

Warranty

A faulty connection or any damage resulting from the wrong usage, or which is in contradiction to the instructions in this leaflet will render the warranty void.



This marking indicates that this appliance should not be disposed with other household wastes. To prevent possible harm to the environment or human health from uncontrolled waste disposal, recycle it responsibly to promote the sustainable reuse of material resources.