



OPERATIONS MANUAL

VIRTUOSO BLUETOOTH ALARM CLOCK

8662292

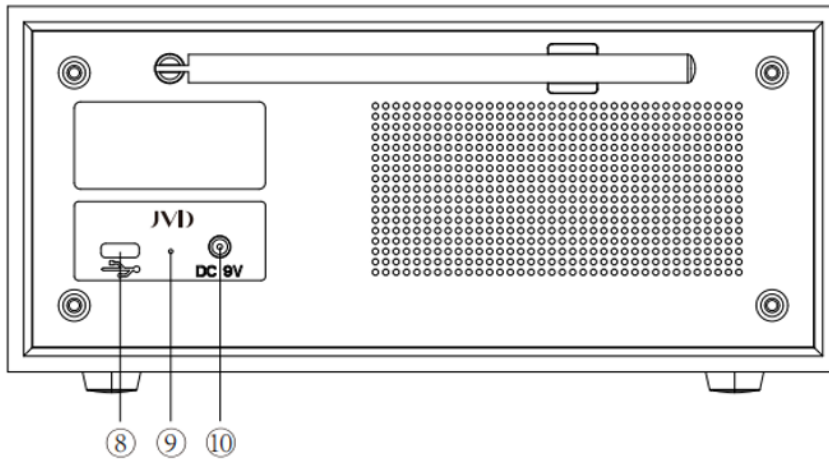
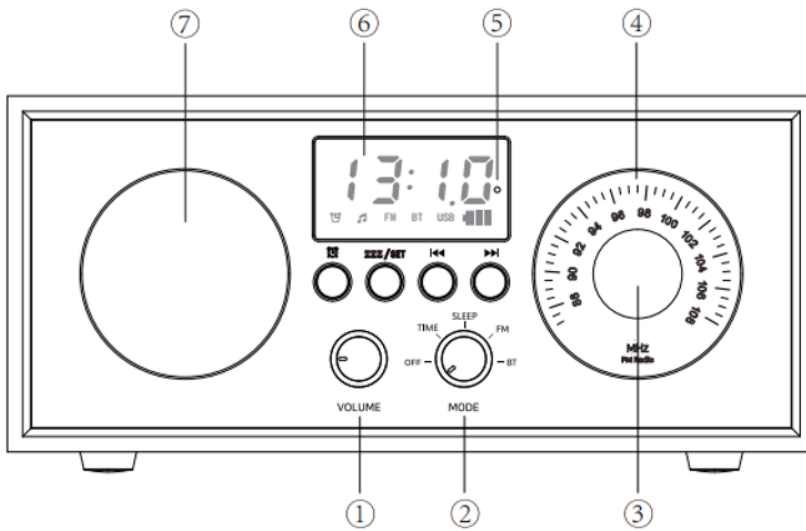
Information in this manual is subject to change without notice.

CAUTION: Safety Instructions

Before using the device, please read through the instructions below and use the following safety guidelines to help ensure your safety and help protect your clock from potential damage.

- In the event of any emergencies, immediately remove the adaptor from the power socket.
- Plug the adaptor only into suitable, easily accessible, earthed mains connections. Ensure that the voltage of the power source is the same as that specified on the adaptor. The use of an incorrect connection is not strictly forbidden and voids the warranty.
- Do not pull the adaptor cable over sharp edges, clamp it or allow it to dangle.
- Keep the adaptor away from heat and damp areas.
- If the adaptor is damaged, it must be replaced by JVD or its service agent.
- To avoid hazardous damage, never place the clock on or beside hot or wet areas.
- Always place it on a horizontal, stable and even surface to prevent it from toppling over.
- Turn off the clock when not in use for a long period.
- Disconnect by pulling out the adaptor and not by pulling the cord itself or else it may get damaged in the process.
- Before cleaning and servicing, please remove the adaptor from the main socket.
- This clock has been designed only for indoor under non-extreme temperature conditions.
- Protect the clock from direct sunlight effect, prolonged water splash and high humidity.
- This appliance is intended to be used within households and similar indoor areas such as offices, guestrooms, hotels, motels, and bed and breakfast areas.
- The appliance is not intended for use by persons (including children) with reduced physical, sensory or mental capabilities or lack of experience and knowledge unless they are under supervision.
- The warranty will not apply if the product is used for any commercial/ industrial purposes, inappropriate handling or use of the appliance, any damage resulting from use for other purposes, faulty operation, non-professional repair or failure to comply with the instructions. In such cases, JVD accepts no responsibility.
- Never immerse the product or part of it in water or other liquid.
- All products pass stringent quality controls. Reliability tests under practical conditions are performed randomly on selected units.

FUNCTIONS DESCRIPTION




Operations Guide

1. Volume knob
2. Function knob
3. Frequency Knob
4. Frequency dial
5. Wireless charging indicator
6. Display
7. Speaker driver
8. USB-C port
9. Charging indicator
10. DC 9V port


OPERATING INSTRUCTIONS

CLOCK SETTING

1. Press and Hold Button  for 3 seconds.
2. The HOUR digit flashes. Press **⏪** or **⏩** to adjust and press **ZZZ/SET** to confirm.
3. When the MINUTE digit flashes, press **⏪** or **⏩** to adjust and press **ZZZ/SET** to confirm.

NOTE: Time display is in 24H format. For some cell phones and tablets, after a Bluetooth connection successfully, the speaker will automatically synchronize the time.

ALARM CLOCK SETTING

1. Press and Hold  button 3 seconds.
2. The HOUR digit flashes. Press **⏪** or **⏩** to adjust and press **ZZZ/SET** to confirm.
3. When the MINUTE digit flashes, press **⏪** or **⏩** to adjust and press **ZZZ/SET** to confirm.

NOTE: Time display is in 24H format.

Press and Hold **ZZZ/SET** button for 3 seconds to cancel the Alarm setting.

ALARM ACTIVATION

When the alarm clock rings, a soft melody tune will start softly and repeat in an ascending volume. It will continue for 3 minutes if no button is pressed.

SNOOZE

Press **ZZZ/SET** button once to activate the Snooze function.

The alarm will ring again 9 minutes later. A maximum of 3 snooze attempts is allowed before the alarm is cancelled.

ALARM CANCELLATION

Press any button besides **ZZZ/SET** button to cancel the alarm.

SLEEPING MODE (white noise music)

1. Turn the "Function knob" manually to "Sleep" mode, at the same time music icon appears in the display.
2. Short press the " Previous/Next song" button to switch the songs, the speaker has built-in 4 sleep-aiding music.

FM RADIO MODE

1. Turn the "Function knob" manually to "FM" mode, the " FM" icon appears in the display.
2. Adjust the "Frequency knob" slowly to search for the radio stations.
3. Some radio stations may be interfered with by the charger while charging the speaker.

BLUETOOTH MODE (BT)

1. Turn the "Function knob" manually to "BT" mode, the " BT" icon flashes in the display.
2. Open the Bluetooth list of your device and select "JVD Virtuoso Speaker" to connect and pair.

USB-C CHARGING PORT

Connect a USB Type-C cable to the speaker and the other end to a smart device.
Output charging port: 5V1A

Note: This port is an output port, please do not connect the adapter.

OFF

Turn the " Function knob" manually to the " OFF" mode.

POWER & CHARGING

Please fully charge the battery before using the device for the first time.
Connect the 9V 3A adapter to the unit to commence charging.
The Red LED will turn on indicating that the unit is now charging.
When fully charged, the battery indicator on the display will stop flashing.

Charging

1. When the battery icon flashes, it means the speaker power is insufficient. At this stage, you will need to charge the speaker.
2. The red indicator light is always on when charging.
3. To extend the battery life, if the speaker is not used for a long time, it is recommended to charge every three months

WIRELESS CHARGING

1. Use the charging cable to connect the speaker to the charger
2. Place your phone in the centre of the top surface of the device for charging.
3. The wireless charging indicator light is always on during normal charging.
The wireless charging indicator light blinks during abnormal charging.
The wireless charging indicator light is off when charging is completed.

Specification

- Input: 100-240V – 50/60Hz 3A
- Output: 5V, 3.0A
- Speaker Output: 01 x 10W
- Bluetooth Version: 5.1
- Frequency Response: 40Hz-16KHz
- FM frequency: 87.5-108MHz
- Connectivity range: up to 10m
- Qi Wireless Charging Output 10W
- Built-in rechargeable lithium polymer battery 2200mAh
- Charging time: 3-4 hours
- Play-time: 10H
- Single USB port: 5V/1.0A
- Dimensions: H95/W200/D105mm
- Weight 785g

Accessories

- Adaptor x 01
- Operations Manual