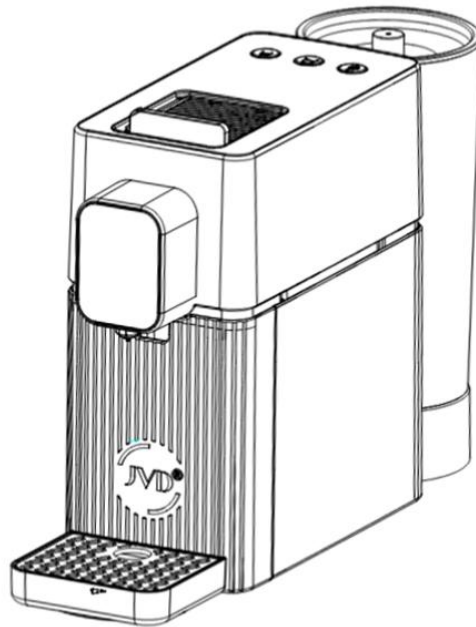




DYOS

(Coffee Machine)

Instruction Manual



Information in this manual is subject
to changes without notice.
Edition: 2026/01

Please read the manual carefully before using the product

READ THESE INSTRUCTIONS CAREFULLY BEFORE USAGE

1. Before use, ensure the rated voltage indicated on the appliance match the supply voltage.
2. If the supply cord shows visible signs of damage, it must be replaced by the manufacturer, its service agent, or similarly qualified persons to avoid hazard. Regularly check the condition of the power cord for any damage.
3. Do not allow the power cable to be pulled or crushed by a heavy load. Never connect the steamer with the power cord or plug that is damaged to the mains. Use only a grounded outlet.
4. Do not connect any other appliances on the same line. It may result in over-heating and fire.
5. Never immerse the power cable, plug and appliance in water, or rinse it under the tap to avoid the risk of electrocution.
6. Never disassemble the appliances or replace components to avoid any hazards.
7. To avoid the risk of fire, do not operate the unit in the presence of explosive fumes and/or flammable.
8. To avoid injury, never open the brew chamber while the appliance is operating.
9. Use as Intended: Only use the appliance as intended. Scalding may occur if the lid is removed during brewing. Use only capsules designed for this appliance. Do not force capsules that do not fit.
9. Place and operate the appliance on a level surface
- 10 The power cord should be unplugged from the AC outlet before filling the water tank. The water inlet must remain closed during use. When the tank has no water, stop using the product.
- 11 In case of dropping, visible deterioration, or leakage, the appliance should not be used. Do not drag the product on the floor.
- 12 Vapors may cause damage to the wall or door when used in proximity.
- 13 The appliance is meant to be used with fresh water. If the local water quality is very hard, scale build-up can be very fast. Injecting distilled water into the tank can be carried out to extend the product's life.
- 14 Do not fill the removable water tank with, vinegar, descaling agents, or other. This product is not suitable for use with any chemicals, other than fresh drinkable water.
- 15 This product is intended for household indoor usage. Do not place the appliance on or near hot gas or electric burners, or in a heated oven.
- 16 Plug the appliance in first, then connect to the wall outlet. To disconnect, turn the appliance off, then remove the plug.

17. After use, turn off the power supply ,unplug the power cable and let it cool completely before cleaning and storing it. Allow the appliance to cool down for 20 minutes after use or before cleaning the product and emptying the water tank or storage.

18. This appliance can be used by children aged 8 years and above and persons with reduced physical, sensory, or mental capabilities or lack of experience and knowledge if they have been given supervision or instruction concerning the use of the appliance in a safe way and understand the hazards involved.

19. Do not allow children to play with the product.

TECHNICAL SPECIFICATIONS

Product code: 8662450

Supply voltage: 220-240V~

Product Code: 8662450

Length of power cord: 95cm

Power: 1650W

Weight:2920g

Pump Pressure: 19Bar

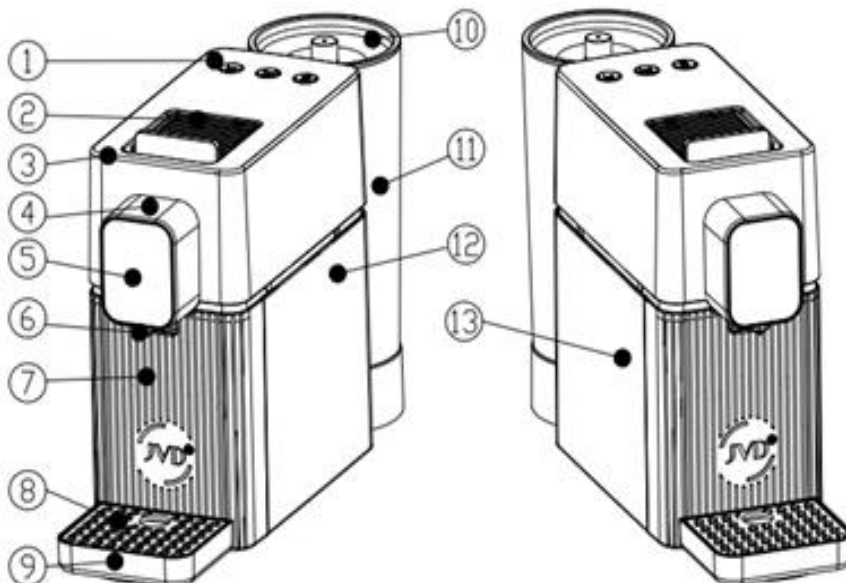
Tank Capacity: 850ml

Dimensions: H255/W107/D359mm

3 Buttons: small cup/big cup/hot water button

COMPONENTS

1) Selector buttons	8) Drip tray cover
2) Sliding unit for coffee pod	9) Drip tray
3) Top cover	10) Water tank cover
4) Nozzle cover	11) Removable water tank
5) Nozzle head	12) Right side panel
6) Front panel	13) Left side panel
7) Used capsule collector/wastewater	

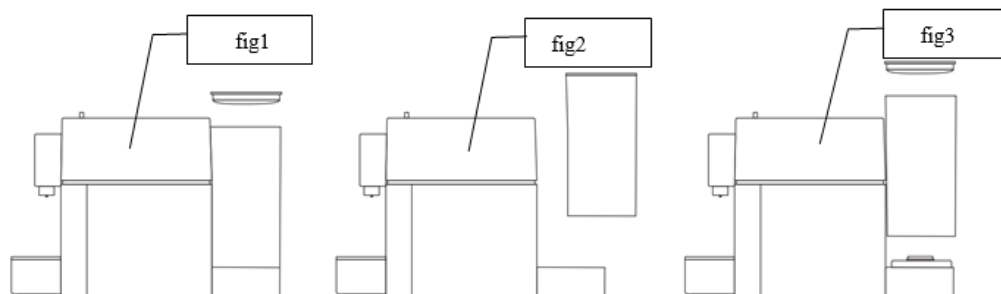


INSTALLATION

- 1) Unpack and check all parts of the product before usage. Report immediately if any missing or broken parts.
- 2) Place the product in a dry, safe, flat surface not too far from the power socket to reduce cable stress and tension.
- 3) Remove water tank, wash, fill the tank with room temperature drinkable water and place the water tank back onto the unit.

*DO NOT FILL THE WATER TANK WITH OTHER MEANS OF LIQUID OTHER THAN FRESH WATER

HOW TO OPERATE THE PRODUCT



How to remove the water tank

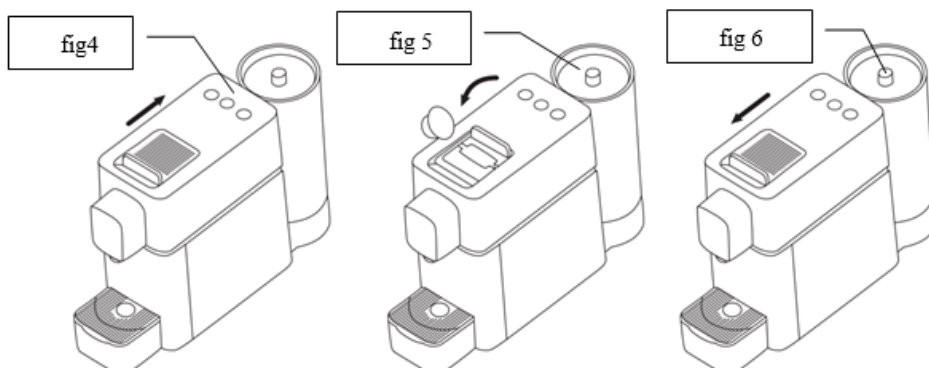
(Step 1)

- A. Remove the water tank cover as shown in fig 1.
- B. Remove water tank as shown in fig 2.
- C. Fill the water tank with room temperature water or drinkable tap water. (Do not fill the water beyond the MAX indicator as indicated on the water tank.)
- D. Install the filled water tank as shown in fig 1.
- E. Attach the water tank cover as shown in fig 1.

Pre-heating phase

(Step 2)

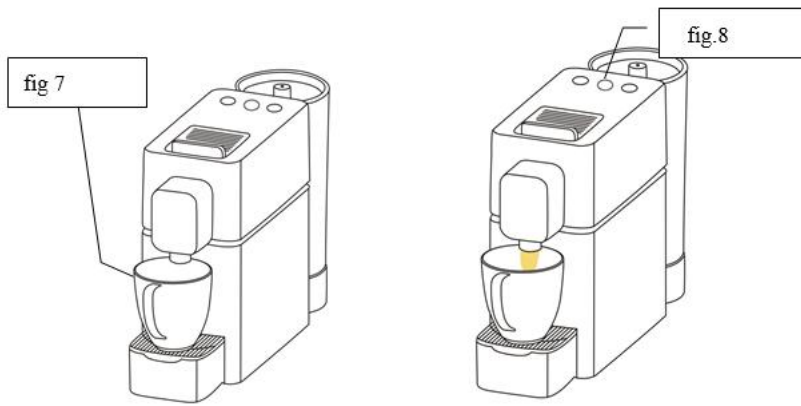
- A. Connect the power cord into the main supply
- B. Unit will begin to heat-up automatically and buttons will start to flash
- C. Unit is ready when the lights on the button stop flashing



Inserting of coffee pod into unit

(Step 3)

- A. Open the sliding unit as shown on fig 4
- B. Insert the capsule into the slot as guided and shown in fig 5. (1 pod per dispense)
- C. Close the sliding unit



Placing of coffee cup below the nozzle

(Step 5)

- A. Proceed to place a cup as shown in fig 7
- B. Proceed to press the button of choice as shown in fig 8 (small cup or big cup)

CARE & MAINTENANCE

Water Tank

- Remove the water tank and rinse thoroughly with clean water.
- If residue remains, wipe with a clean, soft cotton cloth.
- Rinse again with clean water before reinstalling.

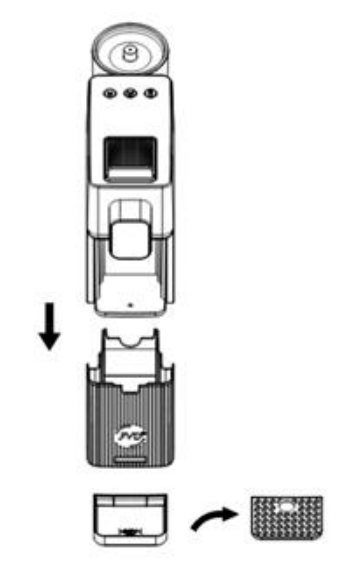
Used Capsule Tray

- Remove the used capsule tray and rinse with clean water.
- If not completely clean, wipe with a soft cotton cloth and rinse again.
- Ensure the tray is dry before placing it back into the machine.

Exterior Cleaning

- Wipe the exterior of the machine regularly using a soft, slightly damp cotton cloth.
- Do not use abrasive cleaners or solvents.

Safety Notice: Always switch off the machine and unplug it from the power outlet before cleaning. The entire product is dishwasher friendly.



ADJUSTING OF WATER VOLUME FOR THE PERFECT CUP



Small Cup Volume Setting

1. Long press the Small Cup button for 5 seconds, then release.
2. The indicator light will blink, indicating programming mode.
3. Allow coffee to dispense until the desired volume is reached.
4. Press the Small Cup button again to stop dispensing.
5. The machine will automatically save the selected volume.

Large Cup Volume Setting

1. Long press the Large Cup button for 5 seconds, then release.
2. The indicator light will blink, indicating programming mode.
3. Allow coffee to dispense until the desired volume is reached.
4. Press the Large Cup button again to stop dispensing.
5. The machine will automatically save the selected volume.

Hot Water Dispensing

1. The hot water volume cannot be preset.
2. Press and hold the Hot Water button to dispense hot water.
3. Release the button to stop dispensing immediately.

Standby Mode

1. Press and hold the Small Cup and Large Cup buttons simultaneously for 3 seconds.
2. Both indicator lights will turn off, indicating the machine has entered Standby Mode.

Restore Default Coffee Volume

1. Ensure the machine is in Standby Mode.
2. Press and hold the Small Cup and Large Cup buttons simultaneously.
3. Release when both indicators blink three times.
4. The system will restore the factory default coffee volumes.

ADJUSTING OF TEMPERATURE LEVEL FOR THE PERFECT CUP OF COFFEE



Coffee Temperature Setting

This function allows adjustment of coffee temperature based on user preference.

Note: Temperature settings can only be adjusted when the machine is in **Standby Mode**.

There are **7 temperature levels**:

- Default level
- 4 levels higher
- 2 levels lower

Decrease Coffee Temperature

1. Long press the Small Cup button: Indicator flashes twice (red): Temperature decreases by 1 level
2. Long press again: Indicator flashes once (red): Temperature decreases by 2 levels

Increase Coffee Temperature

1. Long press the Large Cup button:
2. 1 flash (red): Increase by 1 level
3. 2 flashes: Increase by 2 levels
4. 3 flashes: Increase by 3 levels
5. 4 flashes: Increase by 4 levels

Restore Default Temperature Setting

1. Ensure the machine is in Standby Mode.
2. Press and hold the Small Cup and Large Cup buttons simultaneously.
3. Release when both indicators blink three times.
4. The system will restore the default temperature setting.

FAULT	SOLUTION
No lights	Ensure that the power cord is securely connected and the power supply is switched on
Coffee not dispensing	<ol style="list-style-type: none"> 1. Ensure the water tank contains water. 2. Ensure the capsule chamber is empty. 3. Ensure the used capsule tray is emptied.
Selector buttons pressed but not responding and lighted	Ensure sliding unit is fully closed
Coffee is not hot enough	Refer to temperature setting
Sliding door jammed	Turn off the unit and wait for it to release pressure naturally before attempting to open it again.
Noisy operation	"Ensure the water tank is properly installed and sufficiently filled.
All lights flashing red	Turn off the unit for 2 minutes, then switch it on again



This marking indicates that this appliance should not be disposed with other household wastes. To prevent possible harm to the environment or human health from uncontrolled waste disposal, recycle it responsibly to promote the sustainable reuse of material resources.

Warranty

A faulty connection or any damage resulting from the wrong usage, or which is in contradiction to the instructions in this leaflet will render the warranty void.