



**CSCHC06P**

## **HYGcase shoe dryer - 6 pairs**

Compact and made entirely of stainless steel, HYGcase cares for 6 pairs of low shoes through rapid drying, effective sanitization, and deodorization without chemicals. Its technology eliminates microorganisms both inside and outside the shoes. With an ultra-optimized design, it takes up minimal space — only 20 cm deep.



### **PRODUCT PLUSES**

- Ultra-compact solution to store, dry, and sanitize the inside and outside of shoes (loafers, clogs, etc.).
- Suitable for shoes, loafers, and clogs (max height: 190 mm)
- Fast drying (<1h) with powerful ventilation and heating
- Chemical-free deodorization



MADE IN FRANCE

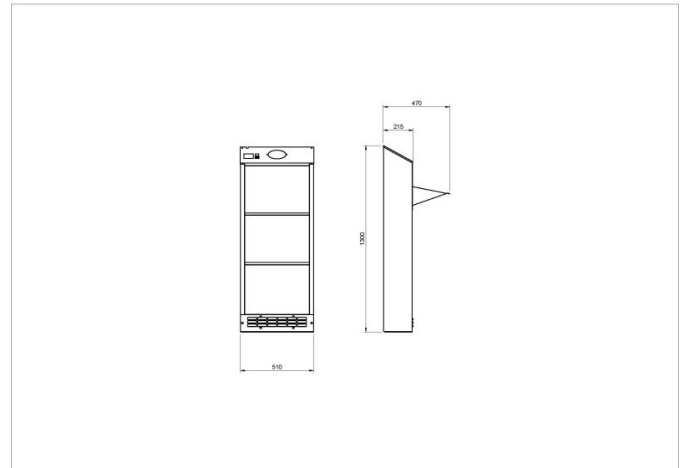


# CSCHC06P

## HYGcase shoe dryer - 6 pairs

Version dated	28/05/2026
Programming	Yes
Drying	Yes
Deodorization	Yes
Color	Stainless steel
Drying time (s)	324000
Air outlet temperature (°C)	40
Filter	No
Automatic shut-off	Yes
Power consumption during operation (W)	550
Power supply	230V
Frequency (Hz)	50
Product height (mm)	1300
Product width (mm)	510
Product depth (mm)	200
Net Weight (kg)	38
Accessories Included	Dividers between each pair of shoes Sloped top Wall mounting Adjustable feet (140 mm height) Numbered labels for accurate pair identification
Optional Accessories	Padlockable lock on each drawer
Material	AISI 304 Stainless Steel

### TECHNICAL DRAWING



CE