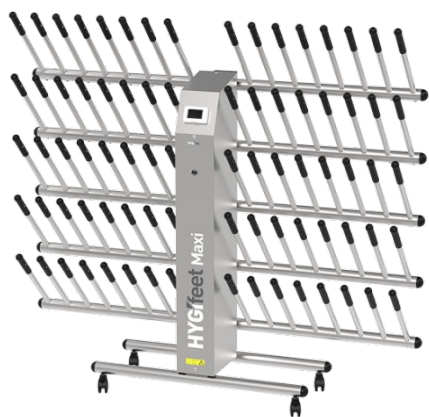




SBDFD40

HYGIfeet boot dryer - 40p. double 304L SS

Made of 304L stainless steel, HYGIfeet is designed for the care of all types of footwear (tall boots and low shoes). Compact and mobile, it provides drying, internal sanitization, and deodorization.

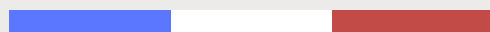


PRODUCT PLUSES

- HYGIfeet, with its proven design, is the modular, scalable, and mobile boot dryer.
- Fast drying (<1h) with powerful ventilation and heating
- Chemical-free deodorization
- Effective sanitization (1h30) against odors and microbes



MADE IN FRANCE



SBDFD40

HYGIfeet boot dryer - 40p. double 304L SS

Version dated	28/05/2026
Programming	Yes
Drying	Yes
Deodorization	Yes
Color	Stainless steel
Castor wheels	Yes
Drying time (s)	5400
Air outlet temperature (°C)	45
Filter	No
Power consumption during operation (W)	1300
Power supply	230V
Frequency (Hz)	50-60
Product height (mm)	1950
Product width (mm)	1170
Product depth (mm)	770
Net Weight (kg)	82
Accessories Included	4 swivel casters 80 sleeves with anti-loss valves 40 numbered tags for precise identification of pairs
Optional Accessories	Compatible with special "glove" sleeves Scalable capacity Wall-mounted stainless steel brackets Adjustable stainless steel supports Controlled by HYGIconnect system
Material	304L stainless steel

TECHNICAL DRAWING

